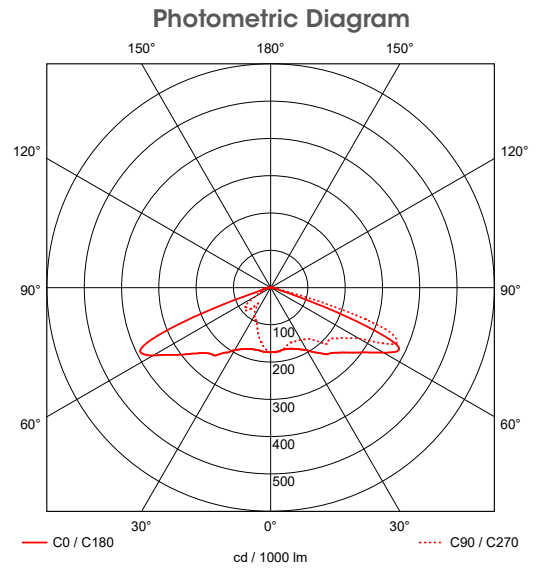
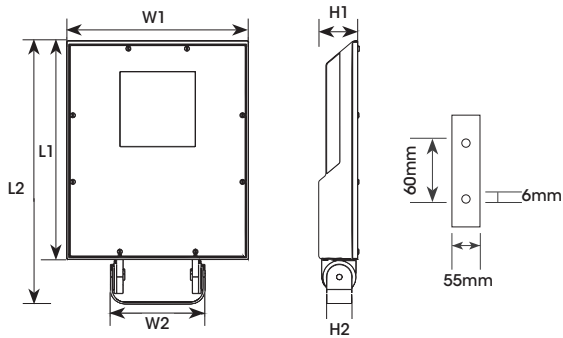


# LASCON® L12 FLOODLIGHT LED



**Luminaire efficiency: 95.6%**

Colours available



### Life/Maintenance

LED Driver Average Rated Life	50 000hrs
LED Life	50 000hrs @ 700mA (L80 F10, TP 45°C)

### Applications

- Parking areas
- Architectural lighting
- Perimeter
- Security

### Benefits

- **5 year warranty**
- Built-in surge protection

### Product Features and Accessories

- High colour rendering index CRI > 80
- Colour temperature 3000K/4000K (5000K on request)
- Small colour tolerance - MacAdam 3
- LM6 marine grade aluminium
- Opal polycarbonate diffuser
- 316 stainless steel screws with heli-coils
- Chemically treated and epoxy powder coated
- 5 year anti-corrosion warranty
- IP65
- 1 Way/2 Way pole mount bracket available on request

Specification	Lumen @ 45°C	System Power	Power Factor	Current	Dimensions						Weight
					L1	L2	W1	W2	H1	H2	
L12-50W-LED	6448	53.2W	0.95	700mA	350mm	421mm	290mm	151mm	62mm	40mm	4.75kg
L12-100W-LED	11916	104.4W	0.95	900mA	350mm	421mm	290mm	151mm	62mm	40mm	4.75kg

