



UVPP

UNIVERSAL VOLTAGE POWER PACK

Key features

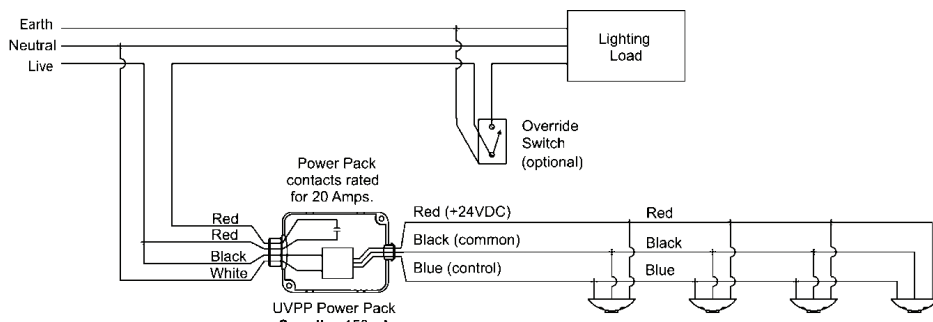
- Power pack can switch up to 4 ceiling sensors
- Universal voltage (100–277 VAC; 50/60Hz)
- Automatic voltage detection
- Electrical load switching capability; maximum of 20 Amps
- Regulated 24 VDC current; 150mA output; short circuit protected
- Zero Arc Point Switching
- Plenum rated
- Mounts: inside or outside a junction box; inside a fluorescent ballast cavity
- Complete with exclusive Quick to Install (QTI) connector



Specifications

Power requirements	100–277 VAC; 50/60Hz Single phase only
Output	24 VDC; 150mA nominal, isolated and regulated
Relay contact rating	20A: 120 VAC Incandescent 20A: 120 or 277 VAC Ballast 745W: 120 or 277 VAC Motor Load
Construction	High-impact UL 94-5V plastic
Plenum rated	Complies with requirements for use in a plenum area Plenum rated for external junction box mounting
Operating environment	Indoor use only Operating temperature: 0° – 40°C 0% to 95% relative humidity, non-condensing
Size and weight	Size: 93.92mm x 59.18mm x 34.54mm
Colour	Black
Warranty	5 years

Wiring Diagram



NOTE:

1. DO NOT attempt to power more than 4 devices (sensors or slave packs) from a single power pack.

Hubbell Building Automation
Low Voltage Sensors (devices)
Requires 33mA each